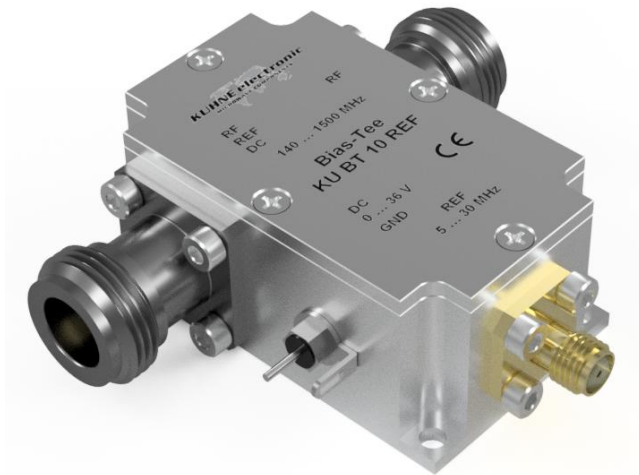


KU BT 10 REF



Manual

Specification

Bias Tee for remote power supply of preamplifiers and converters via the coaxial cable.
 This Bias-Tee features an additional coax SMA connector for reference frequency injection on the coaxial cable.

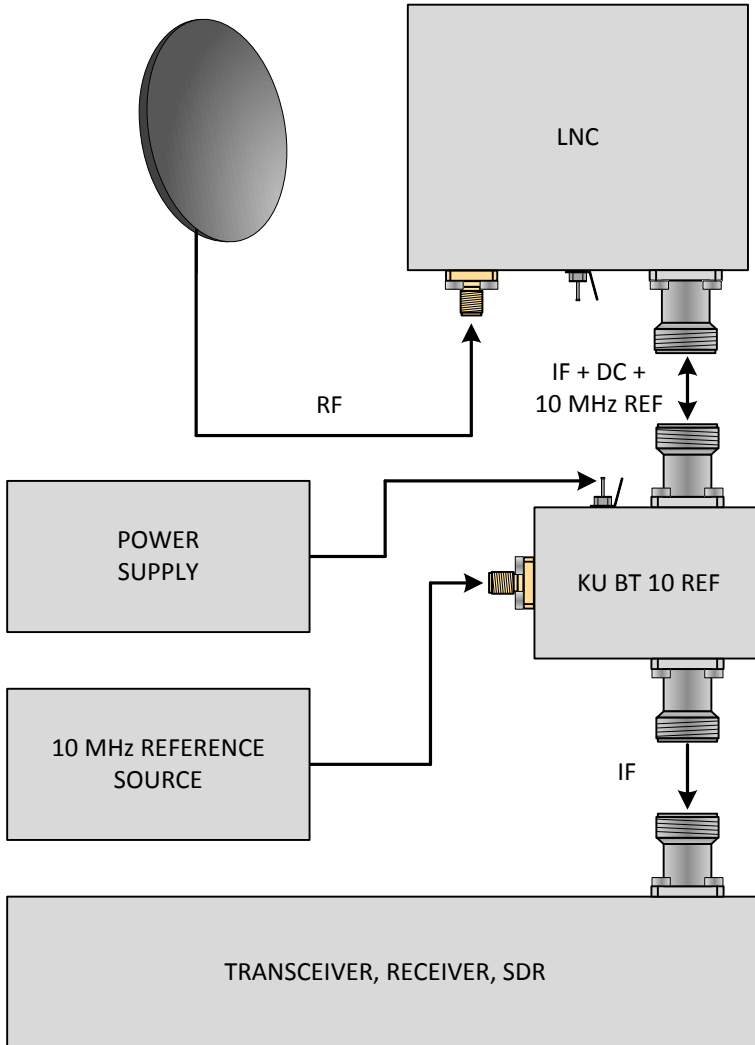
RF path (RF) Frequency range Insertion loss RF power	140 ... 1500 MHz typ. 1 dB, max. 1.5 dB max. 100 mW (+20 dBm)
Reference path (REF) Frequency range Insertion loss Reference power	5 ... 30 MHz typ. 1 dB, max. 1.5 dB max. 100 mW (+20 dBm)
DC path (DC) Voltage range DC Current	0 ... 36 V DC max. 500 mA
Connectors Connector (RF) / impedance Connector (RF + REF + DC) / impedance Connector (REF) / impedance Connector (DC)	N-female, 50 ohms N-female, 50 ohms SMA-female, 50 ohms Feedthrough capacitor
Environments Operating case temperature range	-20 ... +55 °C
Mechanicals Dimensions (mm) Case Weight	50 x 30 x 22 milled aluminium typ. 100 g

CE Conformity

- EMC directive 2014/30/EU
- Low voltage directive 2014/35/EU
- RoHS directive 2011/65/EU



Application diagram



Dimensions / Mounting holes

Top view

