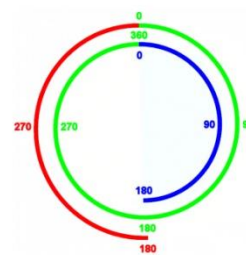


## **SPID Azimuth & Elevation antenna rotator** **Model: SPID-RAS**

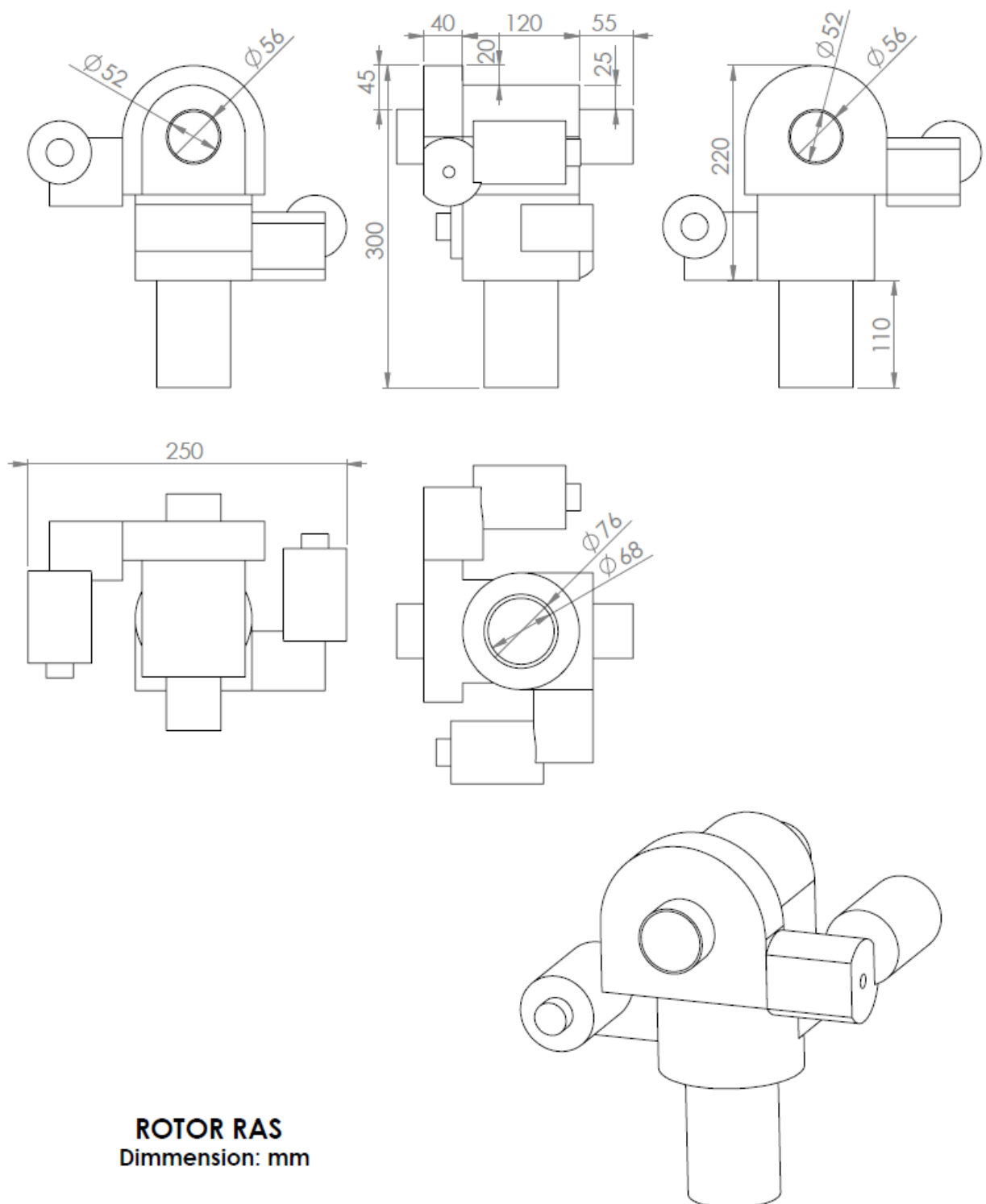


Normal 360  
 - 180  
 or  
 +540 from  
 North 0  
 for  
 total of 720



<b>Specifications: SPID RAS Azimuth and Elevation Rotator</b>	<b>RAS @ 12V</b>	<b>RAS @ 18V</b>
Turning torque in-lbs/Nm	>1,328 in lb/150 Nm	>2,734 in lb/309 Nm
Brake Torque in lbs/Nm	13985 in lb/1580 Nm	13985 in lb/1580 Nm
Brake Construction	Double Worm Gears	Double Worm Gears
Vertical Load lbs/Kg	>550 lbs/250 Kg	>550 lbs/250 Kg
Rotation Speed (360 Deg)	+/- 150 sec	+/- 120 sec
Resolution	1 deg	1 deg
Rotation Range Az/EI	360/180 deg	360/180 deg
Weight lbs / Mass Kg	31 lbs/14 Kg	31 lbs/14 Kg
Position Sensor	Reed Switch	Reed switch
Mast size inches/mm Bottom mount	2.6 in/66 mm	2.6 in/66 mm
Mast size inches/mm Elevation	2.0 in/50 mm	2.0 in/50 mm
Environment	Ground / Mobile free air and / or Sheltered	
MTBF	12500 hours @ -20 to +55°C	
Control cable core	8	8

<b>Specifications Controller:</b>			
Supply voltage	12 Volts	18 Volts	
Current consumption	6 ...10 A	6...11 A	
Supplied with	<ul style="list-style-type: none"> <li>• Digital controller</li> <li>• Build in PC track interface (USB)</li> <li>• Software</li> <li>• Mouse</li> <li>• USB-cable</li> <li>• Fast Setup sheet</li> </ul>		
Dimensions	245x235x40mm		
Weight:	1.6 Kg		
Case	Aluminium / steel		
Environment	Ground / Mobile Sheltered		
MTBF	15000 hours @ -5 to +40°C		
Display	2* 4 digit (green)		
Control cable 8-core	Connection inc. 2* 4 pin-DIN connector		



**ROTOR RAS**  
Dimmension: mm

### Dimension SPID ADAPTOR Plate

